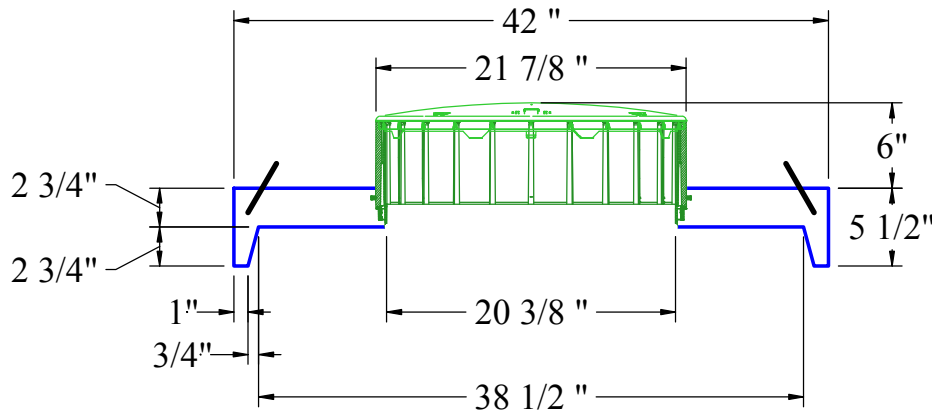


Top View



View A-A

BODE'S PRECAST, INC.
1861 East Pole Rd.
Everson, Wa. 98247
(360) 354-3912

**36" Sanitary Lid
with 20" Polylok Riser and Lid**

SPECIFICATIONS

1. Concrete: Fc=5000 psi @ 28 days
2. Rebar: ASTM A-615 Grade 60

WEIGHT: 281 lbs.

DRAWN BY: RDH

DATE: 10-31-14

MODEL: Lid-S36x20PLHole