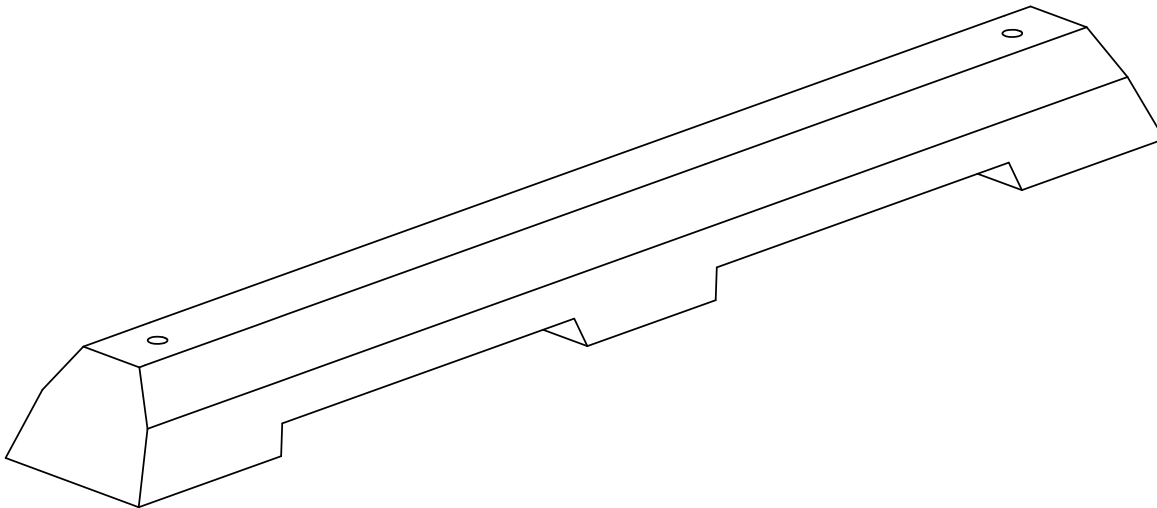


ELEVATION



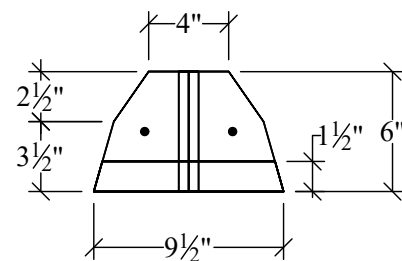
WEIGHT: 210 lbs.

CONCRETE:

Fc= 4,000 psi @ 28 Days

REINFORCING:

(2) - #4 Rebar
ASTM A-615 Grade 60



SECTION

BODE'S PRECAST, INC.
1861 East Pole Rd.
Everson, Wa. 98247
(360) 354-3912

6' Wheel Stop with Drain

Model Number: WS72x9.5x6

Date Issued: